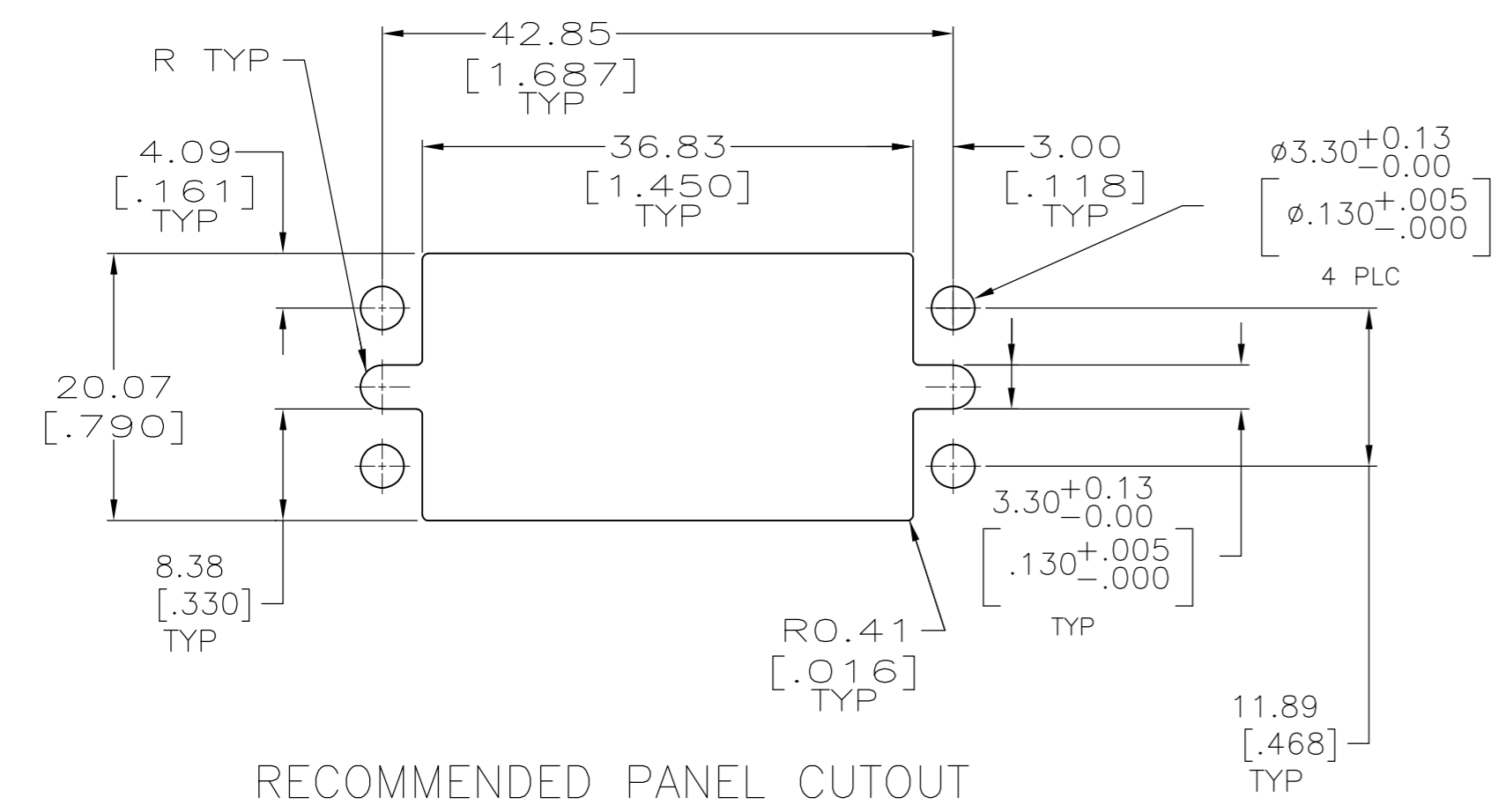
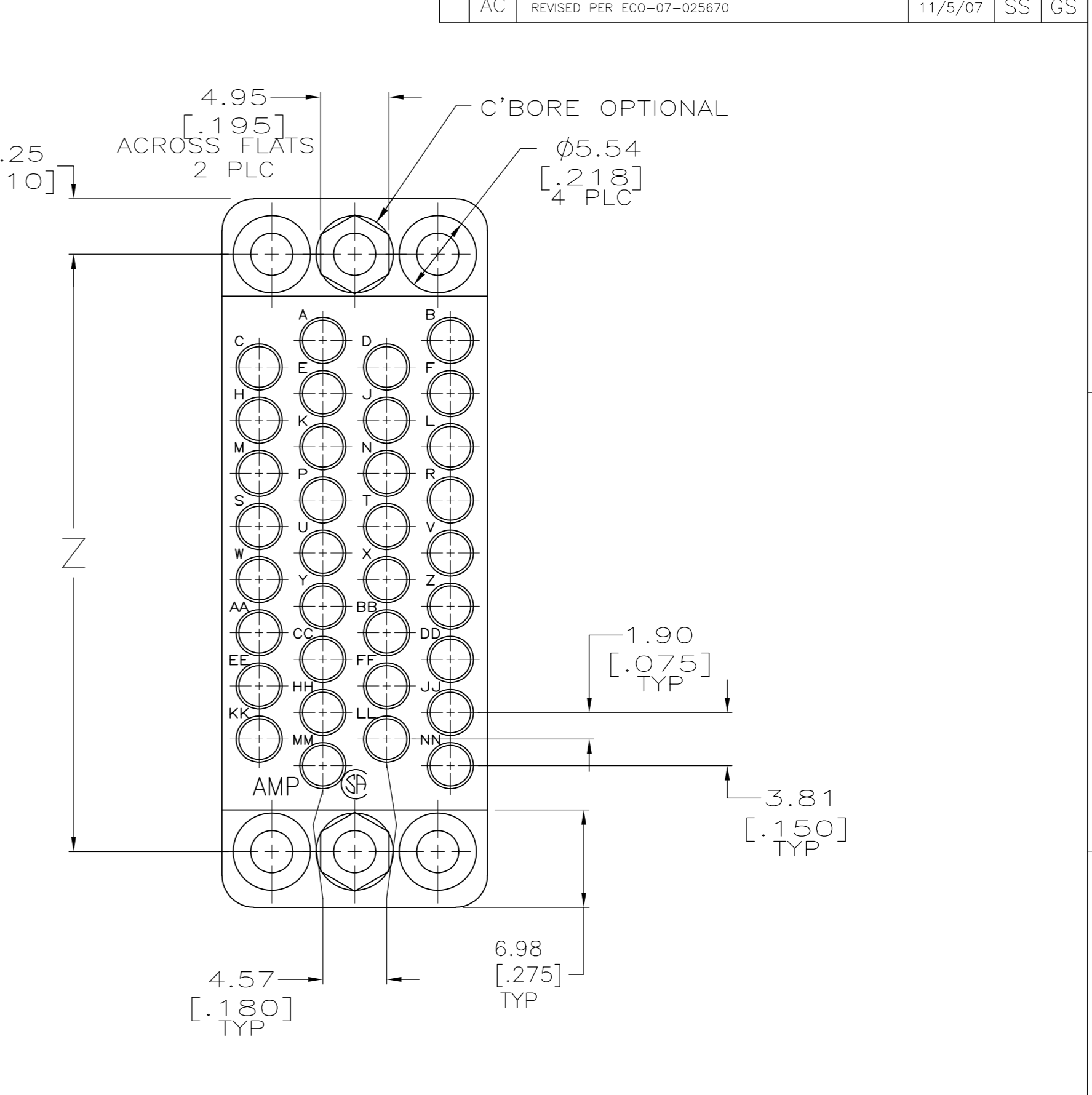
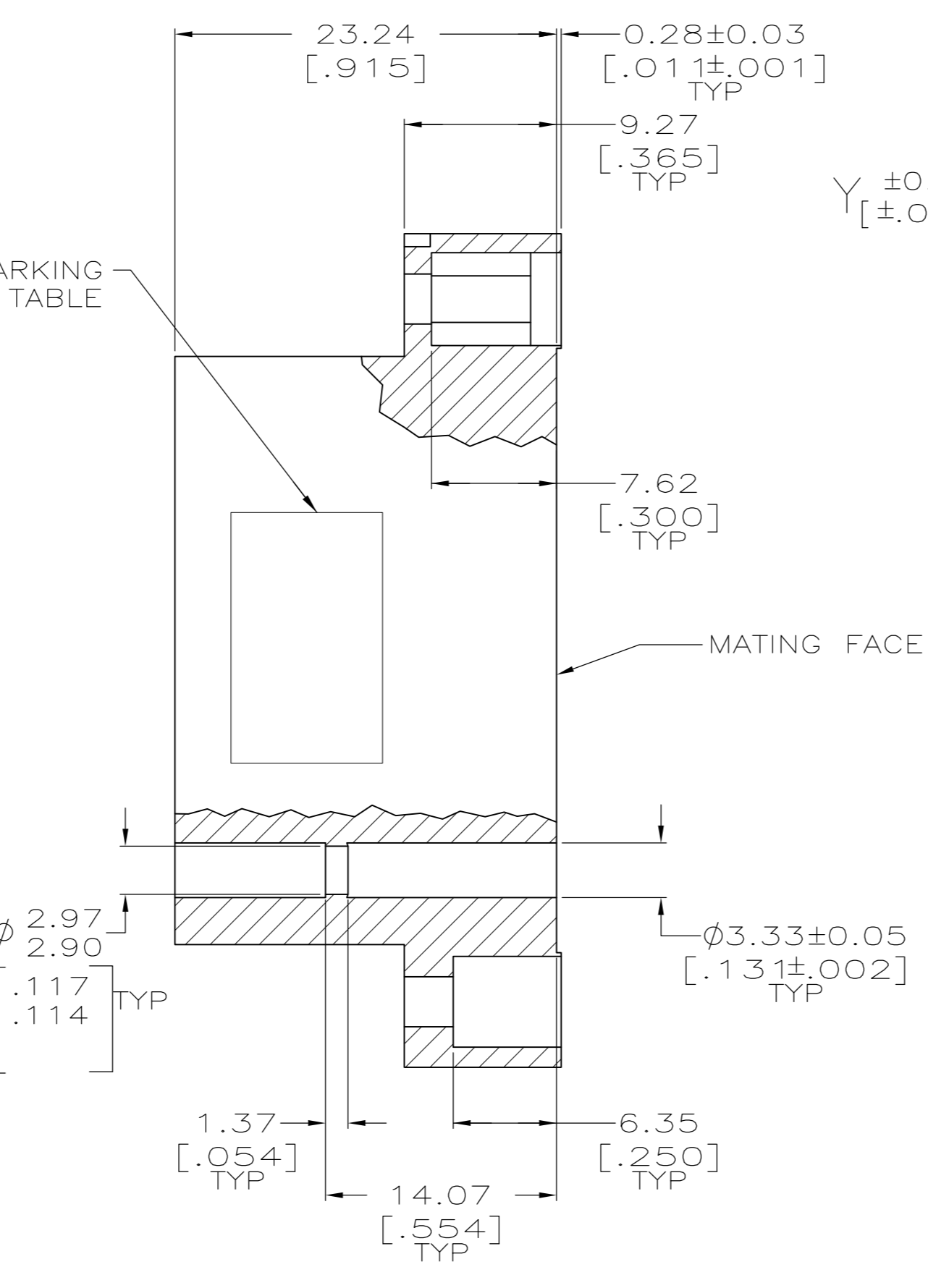
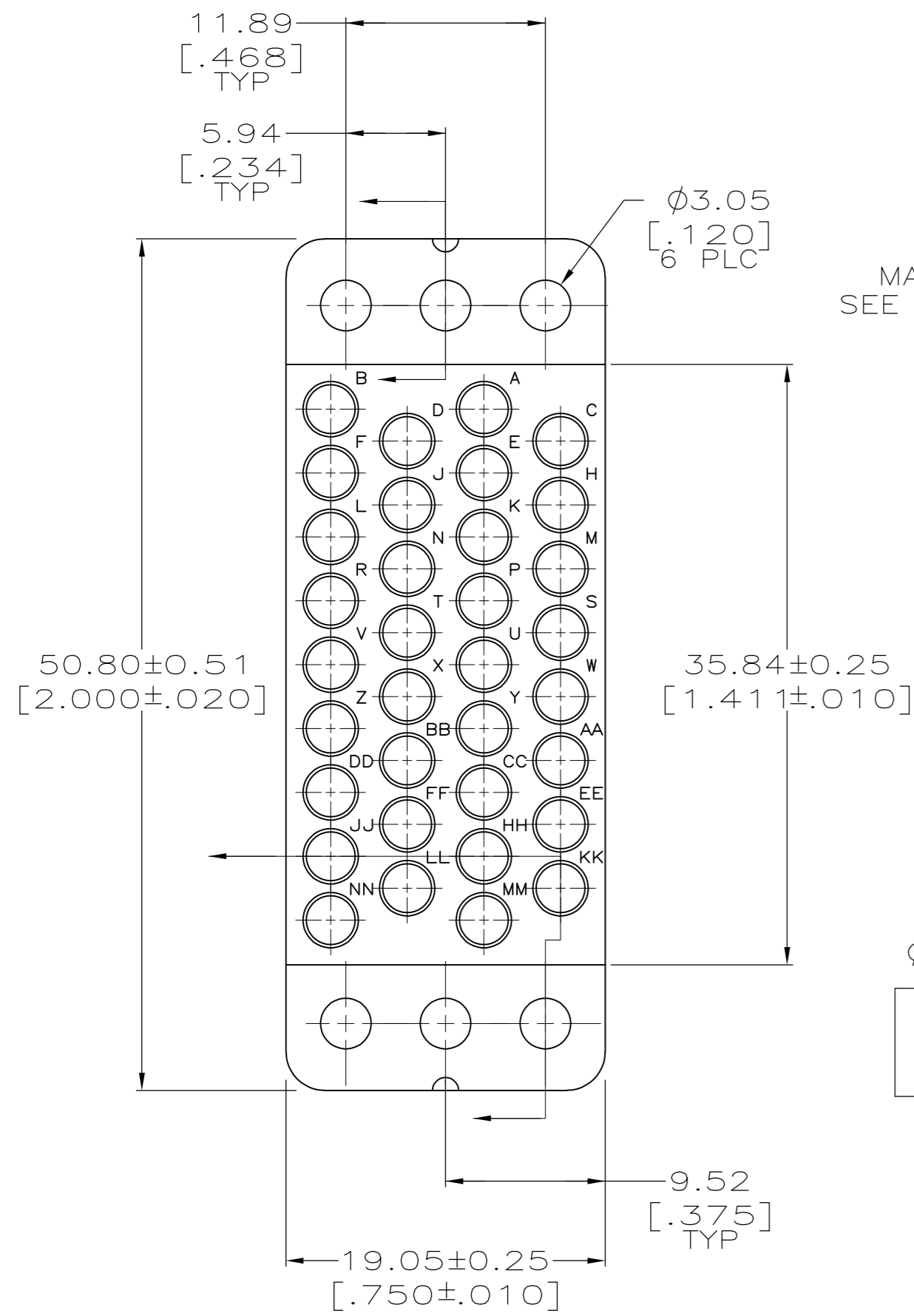


THIS DRAWING IS UNPUBLISHED. RELEASED FOR PUBLICATION
 © COPYRIGHT BY TYCO ELECTRONICS CORPORATION. ALL RIGHTS RESERVED.

| LOC | | DIST | | REVISIONS | | | |
|-----|-----|---------------------------|---------|-----------|------|--|--|
| P | LTR | DESCRIPTION | DATE | DWN | APVD | | |
| AC | | REVISED PER ECO-07-025670 | 11/5/07 | SS | GS | | |



- ① PHENOLIC PER MIL-M-14, TYPE CFG, BLACK.
- ② DIALLYL PHTHALATE PER MIL-M-14, TYPE SDG-F, BLUE.
- ③ AMP PART NO THIS AREA. DATE CODE AT AMP'S OPTION.
- ④ MARK KS 21303, L10.
- 5. WHEN MATING WITH BLOCK 201357, ACCOMODATES TYPE II, TYPE III+ OR TYPE VI #16 PIN OR SOCKET CONTACTS.

| | | | | |
|---------------|-------------|---------|----------|-------------|
| 43.08 [1.696] | 3.86 [.152] | ③ ④ | ② | 200838-9 |
| 43.08 [1.696] | 3.86 [.152] | ③ | ② | 200838-3 |
| 42.82 [1.686] | 3.99 [.157] | ③ | ① | 200838-2 |
| Z | Y | MARKING | MATERIAL | PART NUMBER |

THIS DRAWING IS A CONTROLLED DOCUMENT.

| | | | | |
|----------------------------|--|-------------|--|---|
| DIMENSIONS: mm [INCHES] | TOLERANCES UNLESS OTHERWISE SPECIFIED: 0 PLC ± - 1 PLC ± - 2 PLC ± 0.13 [.005] 3 PLC ± - 4 PLC ± - ANGLES ± 1° | FINISH - | DWN C.REIFSNYDER 07 DEC 95 CHK R.STONE 29 FEB 96 APVD G.A.STEINHAUER 20 MAR 96 PRODUCT SPEC APPLICATION SPEC WEIGHT - | NAME Tyco Electronics Corporation Harrisburg, PA 17105-3608 |
| MATERIAL SEE TABLE | | | CUSTOMER DRAWING | SIZE A2 CAGE CODE 00779 DRAWING NO C=200838 RESTRICTED TO - |
| | | | SCALE 3:1 SHEET 1 OF 1 REV AC | |